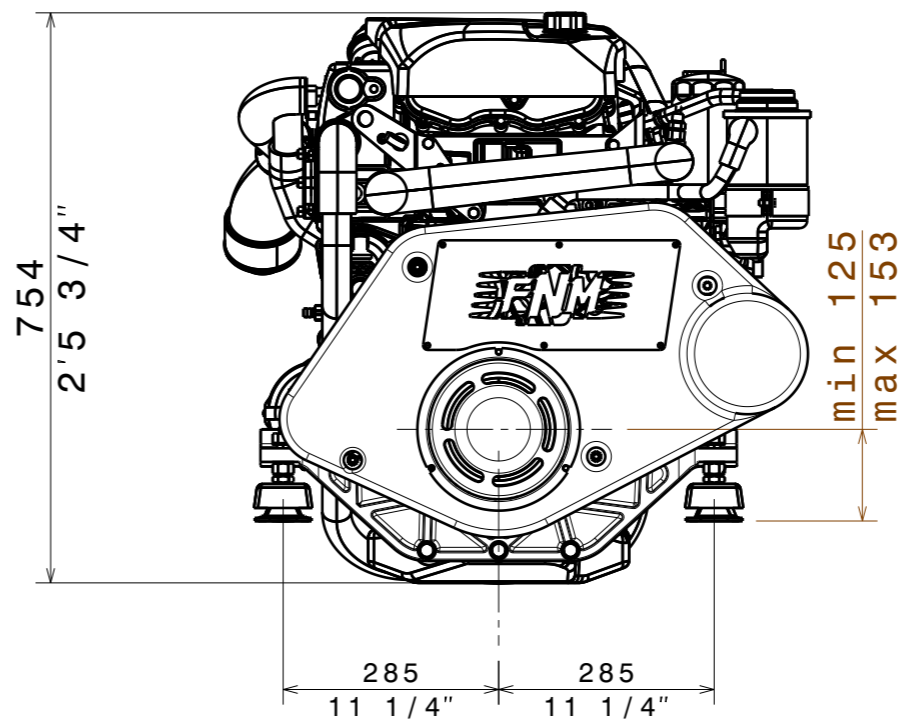
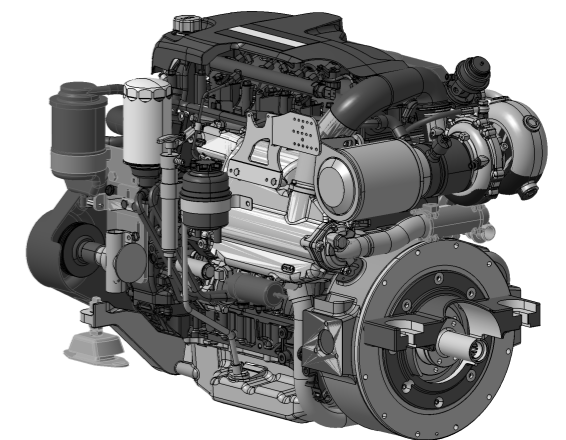


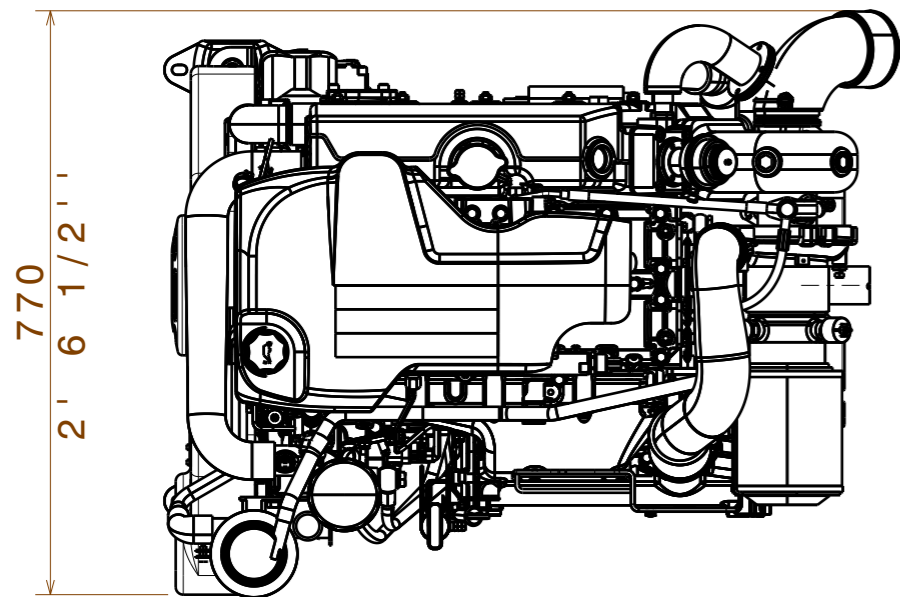
Vista laterale
Starboard side



Vista frontale
Frontal view



Vista isometrica
Isometric view



Vista dall'alto
Top view

NOTE:
- LE QUOTE SONO ESPRESSE NEL SISTEMA METRICO, LE MISURE SONO IN mm
- LE QUOTE SONO TUTTE SENZA TOLLERANZA E SONO SOLO PROPOSTE DI INSTALLAZIONE

NOTE:
- MEASURES ARE EXPRESSED IN SCS SYSTEM
- THIS DRAWING IS CONFIDENTIAL AND MEASURES ARE WITHOUT TOLERANCES

NOTE
*Engine only



All proprietary rights reserved by C.M.D. s.r.l. This drawing shall not be reproduced or in any way utilized for the manufacture of the component or unit herein illustrated and must not be released to other parties without written consent. Any infringement will be legally pursued.

ENGINE TYPE	30 HPE
DRAWING NAME	Volvo Installation Diagram Volvo SX - DPS Sterndrive
Revision 1, last update 29 August 2011 © 2011 - ITALY	
HP 180/225/250/270	Scale 1:10
Weight 335 kg*	Sheet 1/1