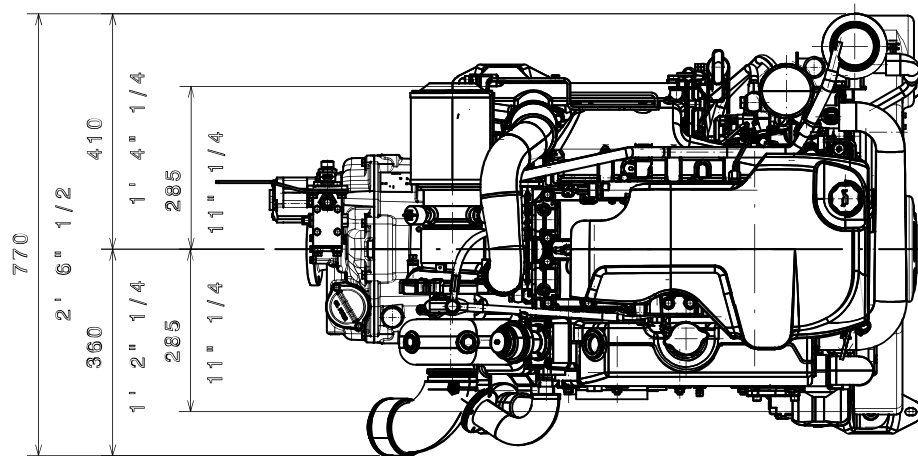


min 125  
max 153



CMD S.p.A.  
Via Pacinotti, 2  
S. Nicola la Strada  
81020 (CE) - Italy  
info@cmdengine.com

DRAWING TITLE

FNM 30HPE with gearboxes TM485 A

SIZE	PART NUMBER
A4	-

SCALE	WEIGHT	SHEET
-	-	1/1